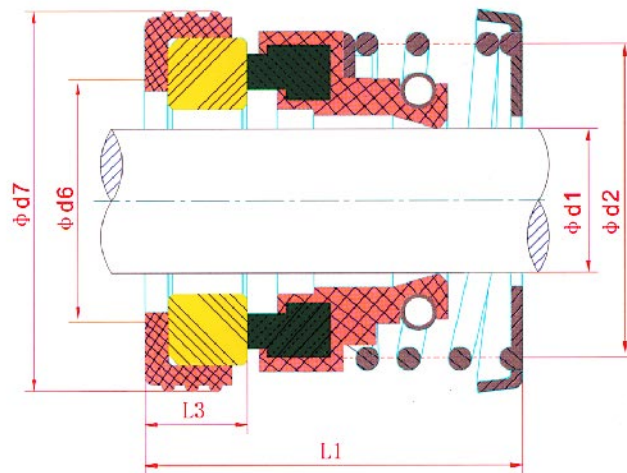


# TS 156



技术参数:  
 压力:  $\leq 0.5\text{MPa}$   
 线速度:  $\leq 10\text{米/秒}$   
 温度:  $-30^{\circ}\text{C} \sim +200^{\circ}\text{C}$

Operating Limits:  
 Pressure:  $\leq 0.5\text{MPa}$   
 Speed:  $\leq 10\text{ m/s}$   
 Temperature:  $-30^{\circ}\text{C} \sim +200^{\circ}\text{C}$

- 静环 (陶瓷/碳化硅/碳化钨)      Stationary Ring ( Ceramic/SiC/TC)
- 动环 (热压石墨/车制石墨/碳化硅/碳化钨)      Rotary Ring (Plastic Carbon/Carbon/ SiC/TC)
- 辅助密封 (丁腈胶/三元乙丙胶/氟胶)      Secondary Seal (NBR/ EPDM/ITON)
- 弹簧及冲件 (不锈钢)      Spring & Other Parts (SUS304/SUS316)

Model	d1	d2	d6	d7	L1	L3
TS156-8	8	16.0	13	18/21	18	7
TS156-9	9	20.0	16	21	23	7
TS156-10	10	20.0	16	20/22/24	23	7
TS156-11	11	20.0	16	24	23	7
TS156-12	12	22.5	17	26	24	7
TS156-13	13	22.5	17	26	24	7
TS156-14	14	24.5	21	28/30	25	7
TS156-15	15	24.5	21	28/30	25	7
TS156-16	16	28.5	22	32	27	8
TS156-17	17	28.5	22	32	27	8
TS156-18	18	31.5	25	35	29	8
TS156-19	19	31.5	25	35	29	8

Model	d1	d2	d6	d7	L1	L3
TS156-20	20	33.5	27	38	31	8
TS156-22	22	34.5	29	40	32	8
TS156-25	25	37.5	32	44	33	9
TS156-28	28	40.5	34	46	34	9
TS156-30	30	44.5	38	50	35	9
TS156-32	32	47.5	40	54	37	9
TS156-35	35	50.5	44	58	40	10
TS156-38	38	53.5	46	60	42	10
TS156-40	40	56.5	48	64	43	10
TS156-45	45	61.5	52	66	45	10
TS156-50	50	66.5	58	72	47	10