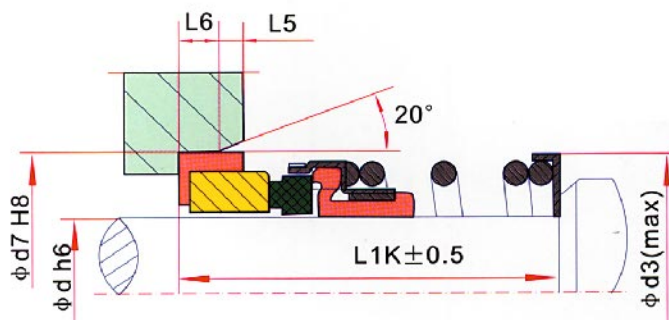


TS 43



技术参数:

压力: $\leq 1.0\text{MPa}$

线速度: $\leq 10\text{米/秒}$

温度: $-30^{\circ}\text{C} \sim +200^{\circ}\text{C}$

Operating Limits:

Pressure: $\leq 1.0\text{MPa}$

Speed: $\leq 10\text{ m/s}$

Temperature: $-30^{\circ}\text{C} \sim +200^{\circ}\text{C}$

设计特点: 安装尺寸符合ISO3069,DIN24960和GB6556标准。

Design Feature: Installation dimension conform to ISO3069,DIN24960 and GB6556

- 静环 (陶瓷/碳化硅/碳化钨) ● Stationary Ring (Ceramic/SiC/TC)
- 动环 (车制石墨/碳化硅/碳化钨) ● Rotary Ring (Carbon/ SiC/TC)
- 辅助密封 (丁腈胶/三元乙丙胶/氟胶) ● Secondary Seal (NBR/ EPDM/VITON)
- 弹簧及冲件 (不锈钢) ● Spring & Other Parts (S.S/SUS304/SUS316)

Model	d	d3	d7	L1K	L5	L6
TS43-10	10	20	21	32.5	1.5	4
TS43-12	12	22	23	32.5	1.5	4
TS43-14	14	24	25	35.0	1.5	4
TS43-16	16	26	27	35.0	1.5	4
TS43-18	18	32	33	37.5	2	5
TS43-20	20	34	35	37.5	2	5
TS43-22	22	36	37	37.5	2	5
TS43-24	24	38	39	40.0	2	5
TS43-25	25	39	40	40.0	2	5
TS43-28	28	42	43	42.5	2	5
TS43-30	30	44	45	42.5	2	5
TS43-32	32	46	48	42.5	2	5
TS43-33	33	47	48	42.5	2	5
TS43-35	35	49	50	42.5	2	5
TS43-38	38	54	56	45.0	2	6
TS43-40	40	56	58	45.0	2	6
TS43-43	43	59	61	45.0	2	6
TS43-45	45	61	63	45.0	2	6
TS43-48	48	64	66	45.0	2	6
TS43-50	50	66	70	47.5	2.5	6
TS43-53	53	69	73	47.5	2.5	6
TS43-55	55	71	75	47.5	2.5	6
TS43-58	58	78	78	52.5	2.5	6
TS43-60	60	80	80	52.5	2.5	6
TS43-63	63	83	83	52.5	2.5	6
TS43-65	65	85	85	52.5	2.5	6
TS43-68	68	88	90	52.5	2.5	7
TS43-70	70	90	92	60.0	2.5	7
TS43-75	75	99	97	60.0	2.5	7
TS43-80	80	104	105	60.0	3	7
TS43-85	85	108	110	60.0	3	7
TS43-90	90	114	115	65.0	3	7
TS43-95	95	119	120	65.0	3	7
TS43-100	100	124	125	65.0	3	7